

Temposonics®

Magnetostrictive Linear Position Sensors

TH SSI Data Sheet

- ATEX / IECEx / CEC / NEC / EAC Ex certified / Japanese approval
- Continuous operation under harsh industrial conditions
- Flameproof / Explosionproof / Increased safety



MEASURING TECHNOLOGY

The absolute, linear position sensors provided by MTS Sensors rely on the company's proprietary Temposonics® magnetostrictive technology, which can determine position with a high level of precision and robustness. Each Temposonics® position sensor consists of a ferromagnetic waveguide, a position magnet, a strain pulse converter and supporting electronics. The magnet, connected to the object in motion in the application, generates a magnetic field at its location on the waveguide. A short current pulse is applied to the waveguide. This creates a momentary radial magnetic field and torsional strain on the waveguide. The momentary interaction of the magnetic fields releases a torsional strain pulse that propagates the length of the waveguide. When the ultrasonic wave reaches the end of the waveguide it is converted into an electrical signal. Since the speed of the ultrasonic wave in the waveguide is precisely known, the time required to receive the return signal can be converted into a linear position measurement with both high accuracy and repeatability.

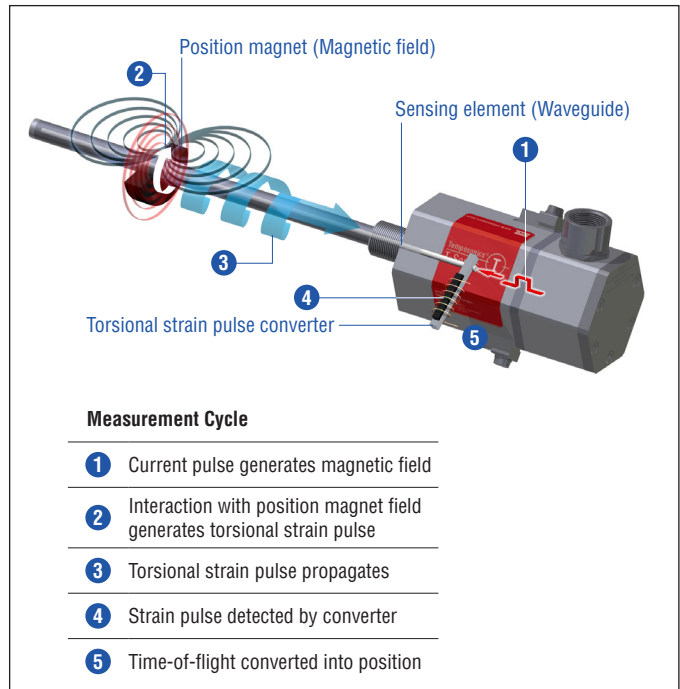


Fig. 1: Time-of-flight based magnetostrictive position sensing principle

TH SENSOR

Robust, non-contact and wear free, the Temposonics® linear position sensors provide best durability and accurate position measurement solutions in harsh industrial environments. The position measurement accuracy is tightly controlled by the quality of the waveguide which is manufactured by MTS Sensors. The position magnet is mounted on the moving machine part and travels contactlessly over the sensor rod with the built-in waveguide.

The TH sensor is extremely robust and ideal for continuous operation under harsh industrial conditions. T-Series sensors are certified for hazardous areas in Zone 0/1, Zone 1, Zone 2, Zone 21 and Zone 22 for Europe (ATEX), the global (IECEX), the Russian (EAC Ex) and the Japanese market, as well as for use in Class I, II, III, Division 1, Division 2 for Canada (CEC) and USA (NEC). The sensor electronics housing contains the active signal conditioning and a complete integrated electronics interface. The sensor rod is capable of withstanding high pressures such as those found in hydraulic cylinders. Furthermore the sensor is also suitable for petro chemical plants and caustic environments.



Fig. 2: Typical application: Tank systems

TECHNICAL DATA

Output	
Interface	SSI (Synchronous Serial Interface) – differential signal in SSI standard (RS 422)
Data format	Binary or gray, optional parity and error bit or temperature of sensor electronics
Data length	8...32 bit
Data transmission rate	70 kBaud ¹ ...1 MBaud, depending on cable length: Cable length < 3 m < 50 m < 100 m < 200 m < 400 m Baud rate 1 MBd < 400 kBd < 300 kBd < 200 kBd < 100 kBd
Measured value	Position, differentiation measurement, velocity, temperature of sensor electronics
Measurement parameters	
Resolution	Position: 0.5 µm, 1 µm, 2 µm, 5 µm, 10 µm, 20 µm, 50 µm, 100 µm / Velocity over 10 measured values: 0.1 mm/s (at 1 ms cycle time)
Cycle time	Stroke length 300 mm 750 mm 1000 mm 2000 mm 5000 mm Measurement rate 3.7 kHz 3.0 kHz 2.3 kHz 1.2 kHz 0.5 kHz
Linearity ²	< ±0.01 % F.S. (minimum ±40 µm)
Repeatability	< ±0.001 % F.S. (minimum ±2.5 µm) typical
Hysteresis	< 4 µm typical
Temperature coefficient	< 15 ppm/K typical
Operating conditions	
Operating temperature	-40...+75 °C (-40...+167 °F)
Humidity	90 % relative humidity, no condensation
Ingress protection	Version D, G, and E: IP66 / IP67 (if properly connected by means that support IP66 / IP67 (pipe, gland, etc.)) Version N: IP66, IP67, IP68, IP69K, NEMA 4X, depending on cable gland
Shock test	100 g / 6 ms, IEC standard 60068-2-27
Repeated shock events	160 g / 2 ms, IEC standard 60068-2-27 (for shock improved option A , see order code for Operating Voltage on page 13)
Vibration test	15 g / 10...2000 Hz, IEC standard 60068-2-6 (excluding resonant frequencies) ³
EMC test	Electromagnetic emission according to EN 61000-6-3 Electromagnetic immunity according to EN 61000-6-2 The sensor meets the requirements of the EU directives and is marked with CE
Operating pressure	350 bar static (5076 psi static)
Magnet movement velocity ⁴	Any
Design / Material	
Sensor electronics housing	Stainless steel 1.4305 (AISI 303); option: Stainless steel 1.4404 (AISI 316L)
Flange	See "Table 1: TH rod sensor threaded flange type references" on page 7
Sensor rod	Stainless steel 1.4306 (AISI 304L); option: Stainless steel 1.4404 (AISI 316L)
Stroke length	25...7620 mm (1...300 in.)
Mechanical mounting	
Mounting position	Any
Mounting instruction	Please consult the technical drawings and the operation manual (document number: 551902)

See next page for "Electrical connection"

1/ With standard one shot of 16 µs

2/ With position magnet # 201 542-2

3/ Additional constraint hardware, customer supplied, and shock improved option **A** required for applications above 15 g. Contact MTS Sensors Applications Engineering

4/ If there is contact between the moving magnet including the magnet holder and the sensor rod, make sure that the maximum speed of the moving magnet is ≤ 1 m/s (Safety requirement due to ESD [Electro Static Discharge])

Electrical connection	
Connection type	T-Series terminal
Operating voltage	+24 VDC (-15 / +20 %)
Ripple	$\leq 0.28 V_{pp}$
Current consumption	100 mA typical
Dielectric strength	700 VDC (DC ground to machine ground)
Polarity protection	Up to -30 VDC
Overvoltage protection	Up to 36 VDC

CERTIFICATIONS

Certification required	Version E	Version D	Version G	Version N
IECEX / ATEX (IECEX: Global market; ATEX: Europe)	Ex db eb IIC T4 Ga/Gb Ex tb IIIC T130°C Ga/Db Zone 0/1, Zone 21 -40 °C ≤ Ta ≤ 75 °C	Ex db IIC T4 Ga/Gb Ex tb IIIC T130°C Ga/Db Zone 0/1, Zone 21 -40 °C ≤ Ta ≤ 75 °C	Ex db IIC T4 Ga/Gb Ex tb IIIC T130°C Ga/Db Zone 0/1, Zone 21 -40 °C ≤ Ta ≤ 75 °C	No hazardous area approval
NEC (USA)	—	—	Explosionproof Class I Div. 1 Groups A, B, C, D T4 Class II/III Div. 1 Groups E, F, G T130°C -40 °C ≤ Ta ≤ 75 °C Flameproof Class I Zone 0/1 AEx d IIC T4 Class II/III Zone 21 AEx tb IIIC T130°C -40 °C ≤ Ta ≤ 75 °C	No hazardous area approval
CEC (Canada)	—	—	Explosionproof Class I Div. 1 Groups B, C, D T4 Class II/III Div. 1 Groups E, F, G T130°C -40 °C ≤ Ta ≤ 75 °C Flameproof Class I Zone 0/1 Ex d IIC T4 Ga/Gb Class II/III Zone 21 Ex tb IIIC T130°C Db -40 °C ≤ Ta ≤ 75 °C	No hazardous area approval
EAC Ex (Russian market)	Ga/Gb Ex db eb IIC T4 X Da/Db Ex tb IIIC T130°C X Zone 0/1, Zone 21 -40 °C ≤ Ta ≤ 75 °C	Ga/Gb Ex db IIC T4 X Da/Db Ex tb IIIC T130°C X Zone 0/1, Zone 21 -40 °C ≤ Ta ≤ 75 °C	Ga/Gb Ex db IIC T4 X Da/Db Ex tb IIIC T130°C X Zone 0/1, Zone 21 -40 °C ≤ Ta ≤ 75 °C	No hazardous area approval
Japanese approval	Ex d e IIC T4 Ga/Gb Ex t IIIC T130°C Db Zone 0/1, Zone 21 -40 °C ≤ Ta ≤ 75 °C	Ex d IIC T4 Ga/Gb Ex t IIIC T130°C Db Zone 0/1, Zone 21 -40 °C ≤ Ta ≤ 75 °C	Ex d IIC T4 Ga/Gb Ex t IIIC T130°C Db Zone 0/1, Zone 21 -40 °C ≤ Ta ≤ 75 °C	No hazardous area approval

Fig. 3: Certifications

TECHNICAL DRAWING

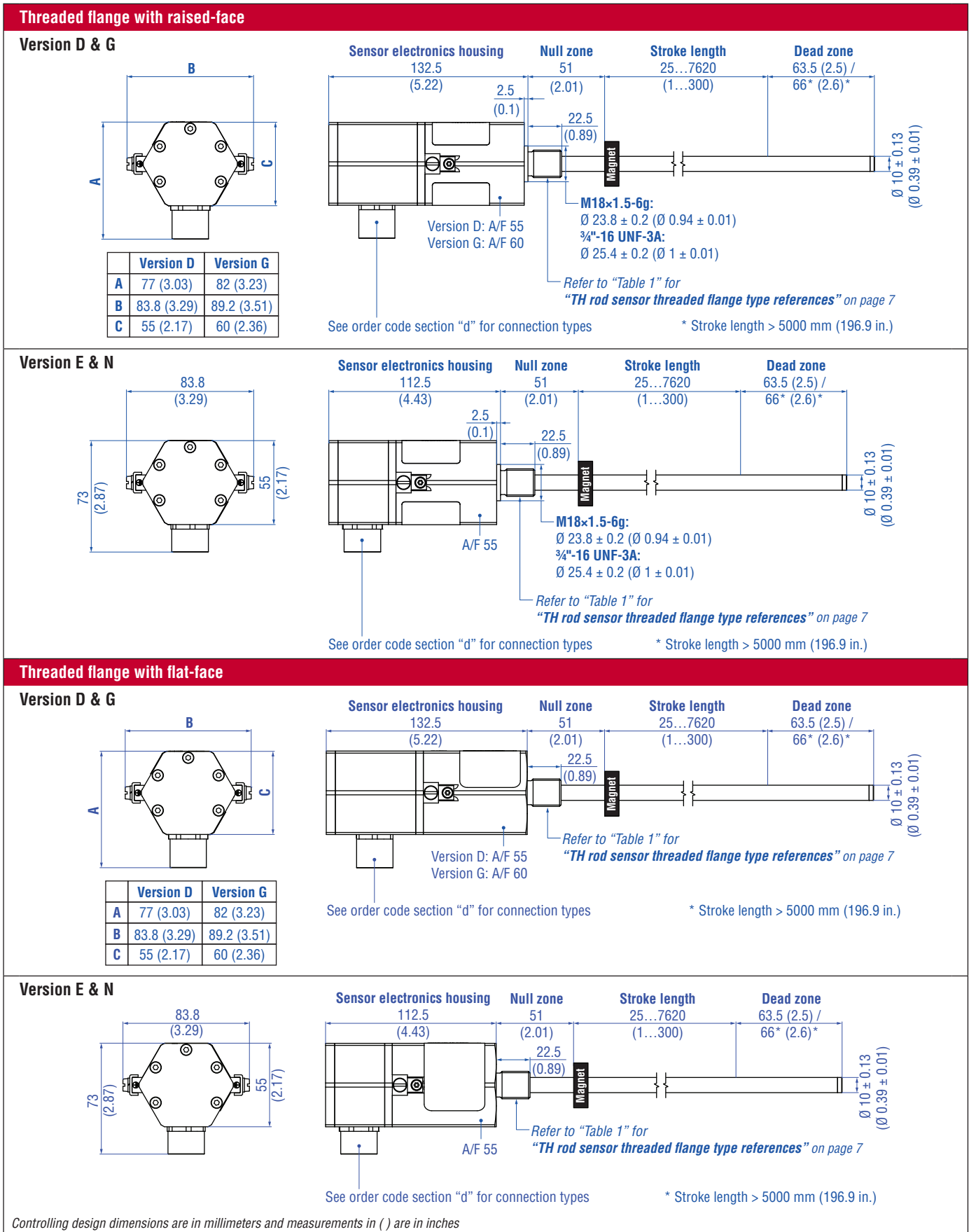


Fig. 4: Temposonics® TH with ring magnet

CONNECTION OPTIONS

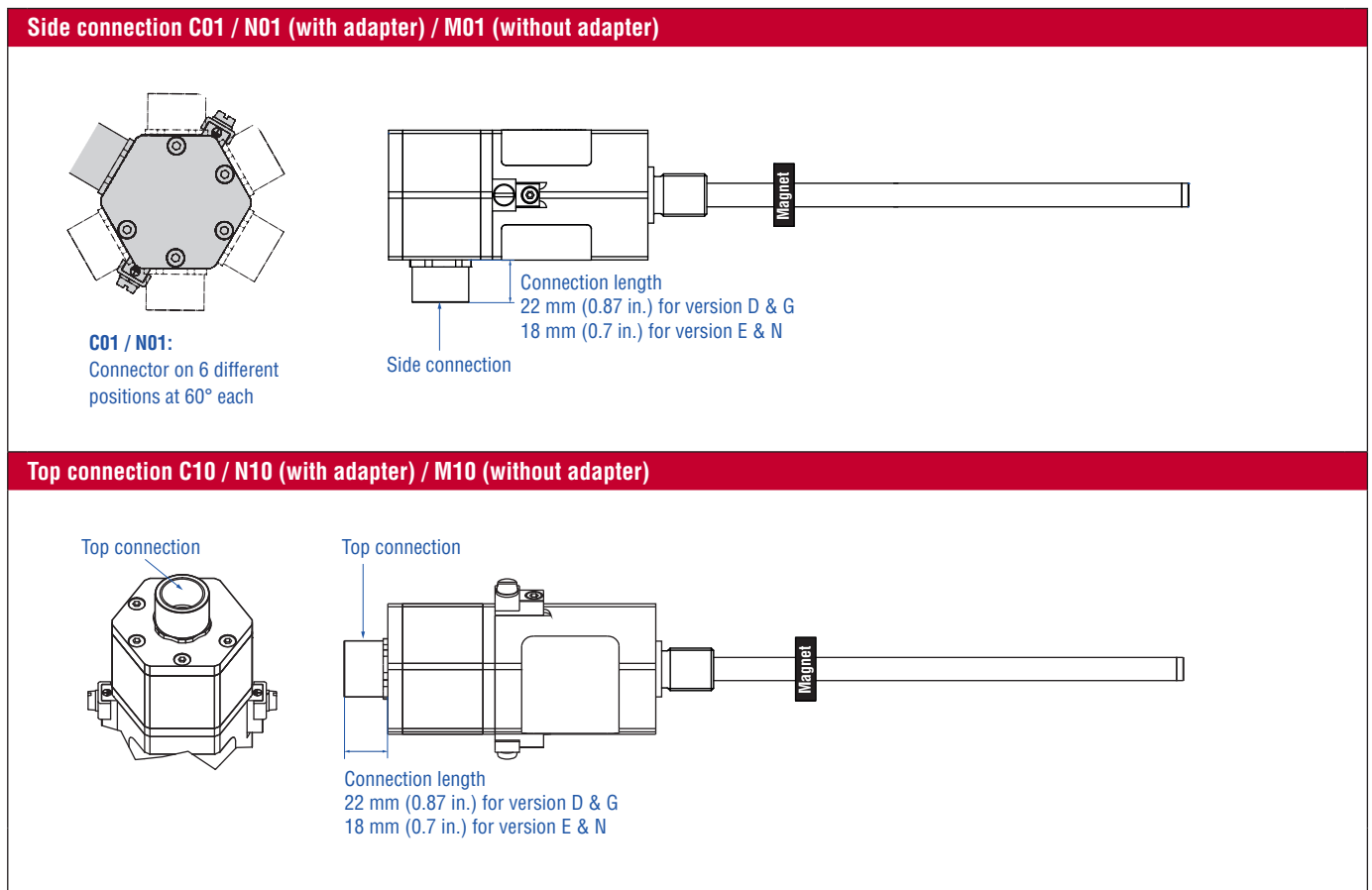


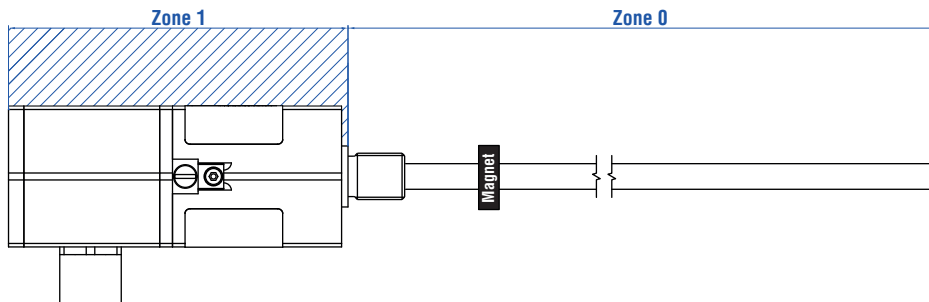
Fig. 5: Temposonics® TH connection options

Threaded flange type	Description	Threaded flange
F	Threaded flange with flat-face Stainless steel 1.4404 (AISI 316L)	¾"-16 UNF-3A
G	Threaded flange with raised-face Stainless steel 1.4404 (AISI 316L)	¾"-16 UNF-3A
M	Threaded flange with flat-face Stainless steel 1.4305 (AISI 303)	M18×1.5-6g
N	Threaded flange with raised-face Stainless steel 1.4305 (AISI 303)	M18×1.5-6g
S	Threaded flange with flat-face Stainless steel 1.4305 (AISI 303)	¾"-16 UNF-3A
T	Threaded flange with raised-face Stainless steel 1.4305 (AISI 303)	¾"-16 UNF-3A
W	Threaded flange with flat-face Stainless steel 1.4404 (AISI 316L)	M18×1.5-6g

Table 1: TH rod sensor threaded flange type references

ZONE CLASSIFICATION

Version D & G (example: Threaded flange with raised-face)
Flameproof (explosionproof) housing with flameproof (explosionproof) connection chamber
Version D: ATEX / IECEx / EAC Ex / Japanese Approval
Version G: ATEX / IECEx / CEC / NEC / EAC Ex / Japanese Approval



Version E (example: Threaded flange with raised-face)
Flameproof housing with increased safety connection chamber
ATEX / IECEx / EAC Ex / Japanese Approval

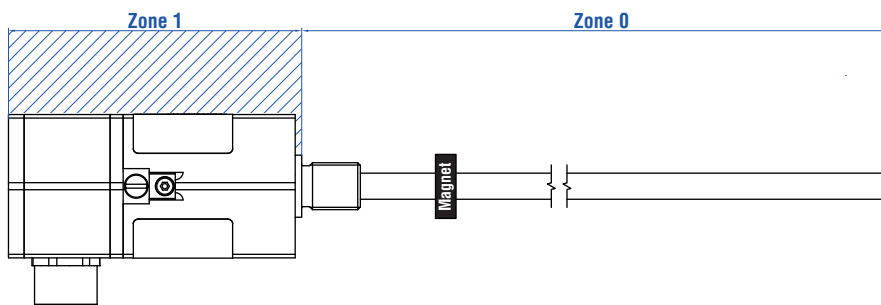


Fig. 6: Temposonics® TH Zone classification

NOTICE

Seal sensor according to ingress protection IP67 between Zone 0 and Zone 1.

CONNECTOR WIRING








Version D & G suitable for connection types: C01, C10, N01, N10		
Signal + power supply		
Terminal	Pin	Function
	1	Data (-)
	2	Data (+)
	3	Clock (+)
	4	Clock (-)
	5	+24 VDC (-15 / +20 %)
	6	DC Ground (0 V)
	7	Cable shield

Fig. 7: TH (version D & G) wiring diagram (2.5 mm² conductor)








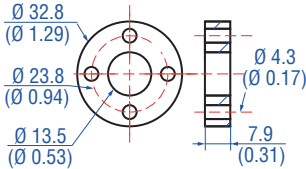
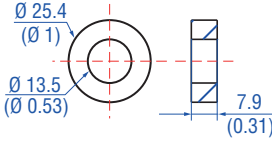
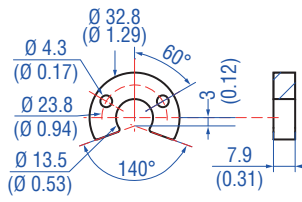
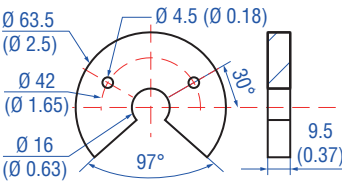
Version E & N suitable for connection types: C01, C10, M01, M10, N01, N10		
Signal + power supply		
Terminal	Pin	Function
	1	Data (-)
	2	Data (+)
	3	Clock (+)
	4	Clock (-)
	5	+24 VDC (-15 / +20 %)
	6	DC Ground (0 V)
	7	Cable shield

Fig. 8: TH (version E & N) wiring diagram (1.5 mm² conductor)

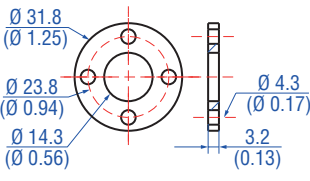
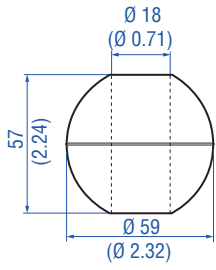
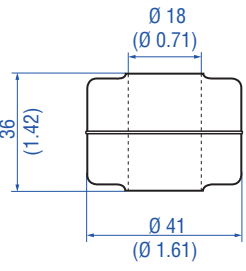
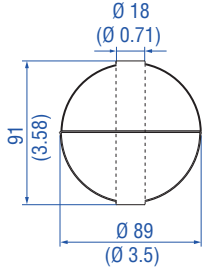
FREQUENTLY ORDERED ACCESSORIES – Additional options available in our [Accessories Guide](#)  [551444](#)

Position magnets

			
<p>Ring magnet OD33 Part no. 201 542-2</p>	<p>Ring magnet OD25.4 Part no. 400 533</p>	<p>U-magnet OD33 Part no. 251 416-2</p>	<p>U-magnet OD63.5 Part no. 201 553</p>
<p>Material: PA ferrite GF20 Weight: Approx. 14 g Surface pressure: Max. 40 N/mm² Fastening torque for M4 screws: 1 Nm Operating temperature: -40...+105 °C (-40...+221 °F)</p>	<p>Material: PA ferrite Weight: Approx. 10 g Surface pressure: Max. 40 N/mm² Operating temperature: -40...+105 °C (-40...+221 °F)</p>	<p>Material: PA ferrite GF20 Weight: Approx. 11 g Surface pressure: Max. 40 N/mm² Fastening torque for M4 screws: 1 Nm Operating temperature: -40...+105 °C (-40...+221 °F)</p>	<p>Material: PA 66-GF30, magnets compound-filled Weight: Approx. 26 g Surface pressure: 20 N/mm² Fastening torque for M4 screws: 1 Nm Operating temperature: -40...+75 °C (-40...+167 °F)</p>

Magnet spacer

Floats⁵

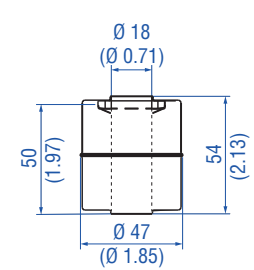
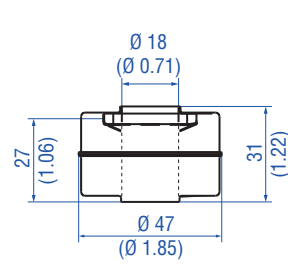
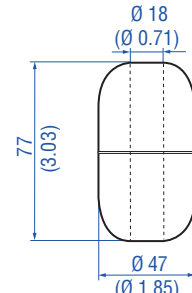
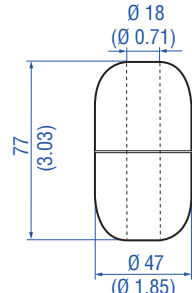
			
<p>Magnet spacer Part no. 400 633</p>	<p>Float Part no. 251 387-2</p>	<p>Float Part no. 200 938-2</p>	<p>Float Part no. 251 469-2</p>
<p>Material: Aluminum Weight: Approx. 5 g Surface pressure: Max. 20 N/mm² Fastening torque for M4 screws: 1 Nm</p>	<p>Material: Stainless steel (AISI 316L) Weight offset: Yes Pressure: 22.4 bar (325 psi) Magnet offset: No Specific gravity: Max. 0.48 Operating temperature: -40...+125 °C (-40...+257 °F)</p>	<p>Material: Stainless steel (AISI 316L) Weight offset: Yes Pressure: 8.6 bar (125 psi) Magnet offset: No Specific gravity: Max. 0.74 Operating temperature: -40...+125 °C (-40...+257 °F)</p>	<p>Material: Stainless steel (AISI 316L) Weight offset: Yes Pressure: 29.3 bar (425 psi) Magnet offset: No Specific gravity: Max. 0.45 Operating temperature: -40...+125 °C (-40...+257 °F)</p>

Controlling design dimensions are in millimeters and measurements in () are in inches

- 5/
- Be sure that the float specific gravity is at least 0.05 less than that of the measured liquid as a safety margin at ambient temperature
 - For interface measurement: A minimum of 0.05 specific gravity differential is required between the upper and lower liquids

- When the magnet is not shown, the magnet is positioned at the center line of float
- An offset weight is installed in the float to bias or tilt the float installed on the sensor tube. So the float remains in contact with the sensor tube at all times and guarantees permanent potential equalization of the float. The offset is required for installations that must conform to hazardous location standards

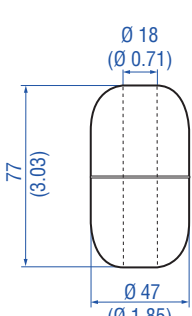
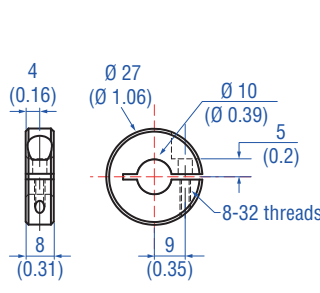
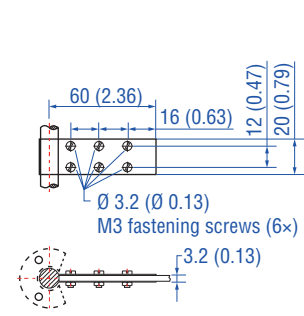
Floats⁶

			
<p>Float⁷ Part no. 201 605-2</p> <p>Material: Stainless steel 1.4571 (AISI 316 Ti) Weight offset: Yes Pressure: 4 bar (60 psi) Magnet offset: Yes Specific gravity: Max. 0.6 Operating temperature: -40...+125 °C (-40...+257 °F)</p>	<p>Float⁷ Part no. 201 606-2</p> <p>Material: Stainless steel 1.4571 (AISI 316 Ti) Weight offset: Yes Pressure: 4 bar (60 psi) Magnet offset: Yes Specific gravity: 0.93 ± 0.01 Operating temperature: -40...+125 °C (-40...+257 °F)</p>	<p>Float Part no. 251 982-2</p> <p>Material: Stainless steel (AISI 316L) Weight offset: Yes Pressure: 29.3 bar (425 psi) Magnet offset: No Specific gravity: 0.93 ± 0.01 Operating temperature: -40...+125 °C (-40...+257 °F)</p>	<p>Float Part no. 251 983-2</p> <p>Material: Stainless steel (AISI 316L) Weight offset: Yes Pressure: 29.3 bar (425 psi) Magnet offset: No Specific gravity: 1.06 ± 0.01 Operating temperature: -40...+125 °C (-40...+257 °F)</p>

Float⁶

Collar

Optional installation hardware

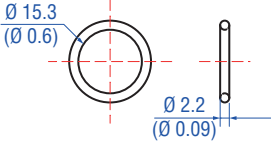
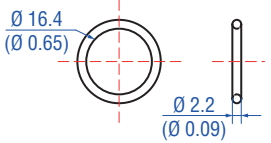

		
<p>Float Part no. 251 981-2</p> <p>Material: Stainless steel (AISI 316L) Weight offset: Yes Pressure: 29.3 bar (425 psi) Magnet offset: No Specific gravity: Max. 0.67 Operating temperature: -40...+125 °C (-40...+257 °F)</p>	<p>Collar Part no. 560 777</p> <p>Provides end of stroke stops for float Material: Stainless steel 1.4301 (AISI 304) Weight: Approx. 30 g Hex key $\frac{7}{64}$" required</p>	<p>Fixing clip for rod with Ø 10 mm Part no. 561 481</p> <p>Application: Used to secure sensor rods (Ø 10 mm (Ø 0.39 in.)) when using an U-magnet Material: Brass, non-magnetic</p>

Controlling design dimensions are in millimeters and measurements in () are in inches

- 6/ • Be sure that the float specific gravity is at least 0.05 less than that of the measured liquid as a safety margin at ambient temperature
• For interface measurement: A minimum of 0.05 specific gravity differential is required between the upper and lower liquids
• When the magnet is not shown, the magnet is positioned at the center line of float

- An offset weight is installed in the float to bias or tilt the float installed on the sensor tube. So the float remains in contact with the sensor tube at all times and guarantees permanent potential equalization of the float. The offset is required for installations that must conform to hazardous location standards

7/ Standard float that can be expedited

O-rings		Programming tool ⁸
		
<p>O-ring for threaded flange (M18x1.5-6g) Part no. 401 133</p>	<p>O-ring for threaded flange (3/4\" data-bbox="281 268 418 304"/> </p>	<p>Programming kit Part no. 253 135-1 (EU) Part no. 253 310-1 (US)</p>
<p>Material: Fluoroelastomer 75 ± 5 durometer Operating temperature: -40...+204 °C (-40...+400 °F)</p>	<p>Material: Fluoroelastomer 75 ± 5 durometer Operating temperature: -40...+204 °C (-40...+400 °F)</p>	<p>Kit includes: Interface converter box, power supply and cables Software is available at: www.mtssensors.com</p>

Manuals, Software & 3D Models available at:
www.mtssensors.com

Controlling design dimensions are in millimeters and measurements in () are in inches

8/ The programming tool is not approved for use in hazardous environments

ORDER CODE

1	2	3	4	5	6	7	8	9	10	11	12	13	14	15	16	17	18	19	20	21	22	23	24	25	
T	H										1			N	N	S									
a		b	c					d			e	f	g	h	i										

Optional

a	Sensor model
T H	Rod

b	Design
Enclosure Type 3: TH rod sensor with housing material stainless steel 1.4305 (AISI 303) and rod material stainless steel 1.4306 (AISI 304L)	

M	Threaded flange with flat-face (M18×1.5-6g)
N	Threaded flange with raised-face (M18×1.5-6g)
S	Threaded flange with flat-face (¾"-16 UNF-3A)
T	Threaded flange with raised-face (¾"-16 UNF-3A)

Enclosure Type 3X:	
TH rod sensor with housing material stainless steel 1.4404 (AISI 316L) and rod material stainless steel 1.4404 (AISI 316L)	

F	Threaded flange with flat-face (¾"-16 UNF-3A)
G	Threaded flange with raised-face (¾"-16 UNF-3A)
W	Threaded flange with flat-face (M18×1.5-6g)

c	Stroke length
X X X X M	0025...7620 mm

Standard stroke length (mm)*	Ordering steps
25 ... 500 mm	5 mm
500 ... 750 mm	10 mm
750...1000 mm	25 mm
1000...2500 mm	50 mm
2500...5000 mm	100 mm
5000...7620 mm	250 mm

X X X X U	001.0...300.0 in.
-----------	-------------------

Standard stroke length (in.)*	Ordering steps
1 ... 20 in.	0.2 in.
20 ... 30 in.	0.4 in.
30 ... 40 in.	1.0 in.
40...100 in.	2.0 in.
100...200 in.	4.0 in.
200...300 in.	10.0 in.

d	Connection type
C 0 1	Side connection with thread ½"-14 NPT (All versions)
C 1 0	Top connection with thread ½"-14 NPT (All versions)
M 0 1	Side connection with thread M16×1.5-6H (Version E & N)
M 1 0	Top connection with thread M16×1.5-6H (Version E & N)
N 0 1	Side connection with thread M20×1.5-6H (All versions)
N 1 0	Top connection with thread M20×1.5-6H (All versions)

e	Operating voltage
1	+24 VDC (-15 / +20 %)
A	+24 VDC (-15 / +20 %) includes shock improved option

f	Version (see "Certifications" on page 5 for further information)
D	Ex db and Ex tb (A/F 55)
E	Ex db eb and Ex tb (A/F 55)
G	Ex db and Ex tb (A/F 60) US & CA approval: Explosionproof (XP) (Note: Group A is not available for Canada)
N	Not approved

g	Functional safety type
N	Not approved

h	Additional option type
N	None

i See next page

* / Non standard stroke lengths are available; must be encoded in 5 mm / 0.1 in. increments

i		Output
S (17) (18) (19) (20) (21) (22) (23) (24) (25)		= Synchronous Serial Interface
Data length (box no. 17)		
1		25 bit
2		24 bit
3		26 bit
Output format (box no. 18)		
B		Binary
G		Gray
Resolution (box no. 19)		
1		0.005 mm
2		0.01 mm
3		0.05 mm
4		0.1 mm
5		0.02 mm
6		0.002 mm
8		0.001 mm
9		0.0005 mm
Filtering performance (box no. 20)		
A		No filter + error delay (4 cycles)
C		No filter + error delay (8 cycles)
1		Standard (no filters)
8		Noise reduction filter (8 measurements)
D		No filter + error delay (10 cycles)
G		Noise reduction filter (8 measurements) + error delay (10 cycles)
K		Peak reduction filter (8 measurements)
N		Peak reduction filter (8 measurements) + error delay (10 cycles)
Signal options (box no. 21, 22)		
0	0	Measuring direction forward, asynchronous mode
0	1	Measuring direction reverse, asynchronous mode
0	2	Measuring direction forward, synchronous mode 1
0	5	Measuring direction forward, asynchronous mode, bit 25 = alarm, bit 26 = parity even
9	9	Write "9" in box no. 21 and 22 for using further combinations in boxes 23, 24, 25

i		Output (continued)
Measurement contents (optional: Box no. 23)		
Note: Choose "9" in box no. 21 and 22		
1		Position measurement
2		Differentiation measurement ⁹
3		Velocity measurement
4		Position measurement + temperature measurement (only with data length = 24 bit)
5		Differentiation measurement ⁹ + temperature measurement (only with data length = 24 bit)
6		Velocity measurement + temperature measurement (only with data length = 24 bit)
Direction and sync. mode (optional: Box no. 24)		
Note: Choose "9" in box no. 21 and 22		
1		Measuring direction forward, asynchronous mode
2		Measuring direction forward, synchronous mode 1
3		Measuring direction forward, synchronous mode 2
4		Measuring direction forward, synchronous mode 3
5		Measuring direction reverse, asynchronous mode
6		Measuring direction reverse, synchronous mode 1
7		Measuring direction reverse, synchronous mode 2
8		Measuring direction reverse, synchronous mode 3
Diagnostics (optional: Box no. 25)		
Note: Choose "9" in box no. 21 and 22		
0		No further options
2		Additional alarm bit + parity even bit (not available for temperature output, only with data length = 24 bit)

NOTICE

Use magnets of the same type (e.g. 2 ring magnets with part no. 201 542-2) for differentiation measurement.

DELIVERY



Sensor

Accessories have to be ordered separately

Manuals, Software & 3D Models available at:
www.mtssensors.com

9/ You need a second magnet for differentiation measurement

Document Part Number:
551950 Revision A (EN) 12/2017

LOCATIONS

USA
MTS Systems Corporation
Sensors Division
3001 Sheldon Drive
Cary, N.C. 27513, USA
Tel. +1 919 677-0100
Fax +1 919 677-0200
info.us@mtssensors.com
www.mtssensors.com

JAPAN
MTS Sensors Technology Corp.
737 Aihara-machi,
Machida-shi,
Tokyo 194-0211, Japan
Tel. +81 42 775-3838
Fax +81 42 775-5512
info.jp@mtssensors.com
www.mtssensors.com

FRANCE
MTS Systems SAS
Zone EUROPARC Bâtiment EXA 16
16/18, rue Eugène Dupuis
94046 Creteil, France
Tel. +33 1 58 4390-28
Fax +33 1 58 4390-03
info.fr@mtssensors.com
www.mtssensors.com

GERMANY
MTS Sensor Technologie
GmbH & Co. KG
Auf dem Schüffel 9
58513 Lüdenscheid, Germany
Tel. +49 2351 9587-0
Fax +49 2351 56491
info.de@mtssensors.com
www.mtssensors.com

CHINA
MTS Sensors
Room 504, Huajing Commercial Center,
No. 188, North Qinzhou Road
200233 Shanghai, China
Tel. +86 21 6485 5800
Fax +86 21 6495 6329
info.cn@mtssensors.com
www.mtssensors.com

ITALY
MTS Systems Srl
Sensor Division
Via Camillo Golgi, 5/7
25064 Gussago (BS), Italy
Tel. +39 030 988 3819
Fax +39 030 982 3359
info.it@mtssensors.com
www.mtssensors.com

LEGAL NOTICES

MTS, Temposonics and Level Plus are registered trademarks of MTS Systems Corporation in the United States; MTS SENSORS and the MTS SENSORS logo are trademarks of MTS Systems Corporation within the United States. These trademarks may be protected in other countries. All other trademarks are the property of their respective owners. Copyright © 2017 MTS Systems Corporation. No license of any intellectual property rights is granted. MTS reserves the right to change the information within this document, change product designs, or withdraw products from availability for purchase without notice. Typographic and graphics errors or omissions are unintentional and subject to correction. Visit www.mtssensors.com for the latest product information.

